

SAP MATERIAL No.: 0165096

SHORT DESCRIPTION: HOLDER,FUSE:1 KV;160 A;NH00 DIN

TECH. DESCRIPTION:
 HOLDER, FUSE: POTENTIAL: 1 KV; CURRENT: 160 A; FUSE SIZE: NH00 DIN;
 FUSE STYLE: NH00 DIN; MOUNT: BRACKET;
 FUSEHOLDER FOR FUSE SWITCH DISCONNECTOR; FULLY INSULATED;
 SHALL HAVE A FUSE BLOWN INDICATOR;
 RATED AT 1000V AND 160A; SINGLE POLE;
 FLAP OF FUSE HOLDER TO ACCOMMODATE NH00 DIN TYPE FUSES;
 ONE INCOMING AND TWO OUTGOING TERMINALS TO BE PROVIDED;
 EACH TERMINAL SHALL ACCOMMODATE CONDUCTOR/CABLE RANGE 35-70MM SQ;
 BOTH INCOMING AND OUTGOING TERMINALS SHALL BE SUITABLE
 FOR THE DIRECT CONNECTION OF ALUMINIUM CONDUCTORS;
 FUSE HOLDERS TO BE PROVIDED INDIVIDUALLY AND USED IN VARIOUS COMBINATIONS
 1 PHASE, 2 PHASE AND 3 PHASE TOGETHER WITH MOUNTING BRACKET (D-DT-3182 SH.3);
 SUPPLIED WITH 1 x M8 BOLTS FOR ATTACHMENT ONTO BRACKET;
 NO NEUTRAL TERMINALS OR LINKS;
 ESKOM DRAWING No. D-DT-3182 *

ITEM	:- FUSE HOLDER 1000V				
MATERIAL SPECIFICATION	:-				
CORROSION SPECIFICATION	:-				
STANDARD SPECIFICATION	:- SANS 60947-3				
ESKOM SPECIFICATION	:- DSP 34-255				
TEST & CERTIFICATION REQUIREMENTS	:-				

INSPECTION	Yes	No	ESKOM RELEASE NOTE	Yes	No
------------	-----	----	--------------------	-----	----

IDENTIFICATION:- INDELIBLE MANUFACTURES TRADEMARK & PART No. ON ALL ITEMS

12	LV FUSE HOLDER BRACKET SAP NUMBERS CHANGED AND SHORT AND TECH. DESC.'S CHANGED AS PER PILOG	P.A.T.	M. SHUTER	J.MAUDU	05.06.2013	
11	FUSE SYSTEMS CHANGED FOR 20, 63 & 100A AND VERIOUS SPECS CHANGED	P.A.T.	J.MAUDU	R. KELLY	26.08.2010	
10	MATERIAL AND SPECS CHANGED	P.A.T.	S.MASHABA	B. HILL	10.03.2010	
REV	REVISION DESCRIPTION	BY	CHKD	AUTH	DATE	REF. DWGS


AUTH:	P. CROWDY	DATE:	09.10.1996	 D-DT-3182	SAP No:		
CHKD:	A. ABROSIE	DATE:	09.10.1996		0165096		
DRAWN:	P.A. VERMAAK	DATE:	28.06.1996		SET	SHEET	REV
				6	1	12	

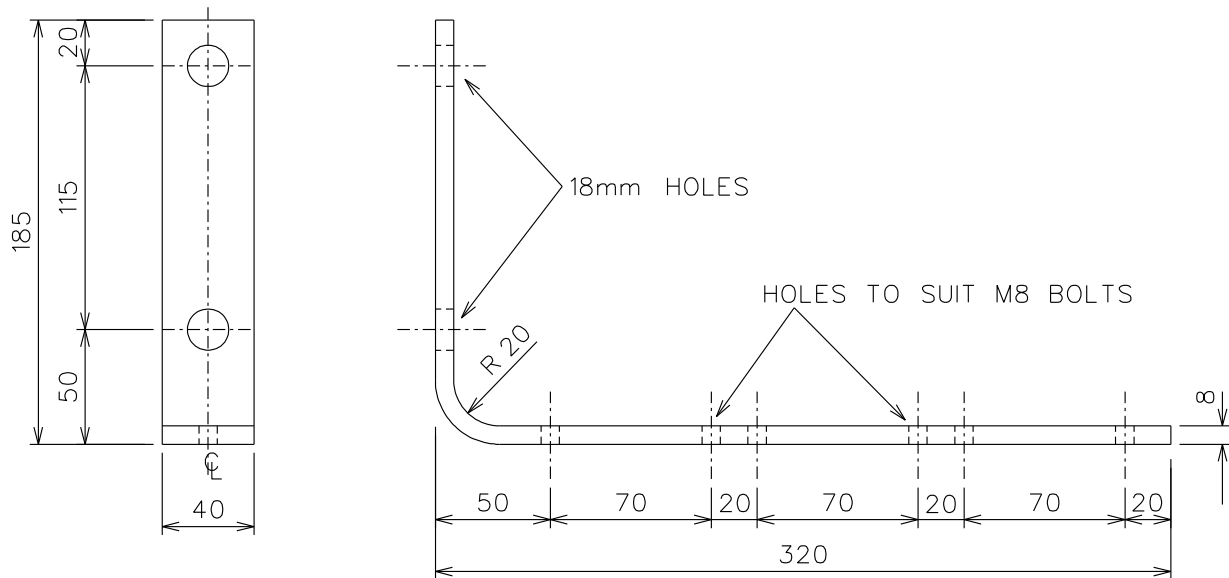
SPEC SHEET

SAP MATERIAL No.:	0186422
SHORT DESCRIPTION:	HOLDER,FUSE:1 KV;400 A;NH2 DIN;NH2 DIN

TECH. DESCRIPTION:

HOLDER, FUSE: POTENTIAL: 1 KV; CURRENT: 400 A; FUSE SIZE: NH2 DIN;
 FUSE STYLE: NH2 DIN; MOUNT: BRACKET;
 FUSEHOLDER FOR FUSE SWITCH DISCONNECTOR; FULLY INSULATED;
 SHALL HAVE A FUSE BLOWN INDICATOR; RATED AT 1000V AND 400A;
 SINGLE POLE; FLAP OF FUSE HOLDER TO ACCOMMODATE NH2 DIN TYPE FUSES;
 ONE INCOMING AND TWO OUTGOING TERMINALS TO BE PROVIDED;
 INCOMING TERMINAL SHALL ACCOMMODATE ACSR CONDUCTOR RANGE FOX-HARE;
 OUTGOING TERMINALS SHALL ACCOMMODATE COPPER CABLE RANGE 70-185MM SQ;
 FUSE HOLDERS TO BE PROVIDED INDIVIDUALLY AND USED IN VARIOUS COMBINATIONS
 2 PHASE AND 3 PHASE TOGETHER;
 WITH MOUNTING BRACKET (D-DT-3182 SH.4);
 SUPPLIED WITH 2 X M8 BOLTS FOR ATTACHMENT ONTO BRACKET;
 NO NEUTRAL TERMINALS OR LINKS;
 ESKOM DRAWING No. D-DT-3182 *

12	LV FUSE HOLDER BRACKET SAP NUMBERS CHANGED AND SHORT AND TECH. DESC.'S CHANGED AS PER PILOG	P.A.T.	M. SHUTER	J.MAUDU	05.06.2013			
11	FUSE SYSTEMS CHANGED FOR 20, 63 & 100A AND VERIOUS SPECS CHANGED	P.A.T.	J.MAUDU	R. KELLY	26.08.2010			
10	MATERIAL AND SPECS CHANGED	P.A.T.	S.MASHABA	B. HILL	10.03.2010			
REV	REVISION DESCRIPTION	BY	CHKD	AUTH	DATE	REF. DWGS		
AUTH:	P. CROWDY	DATE:	09.10.1996	 D-DT-3182		SAP No:		
CHKD:	A. ABROSIE	DATE:	09.10.1996			0186422		
DRAWN:	P.A. VERMAAK	DATE:	28.06.1996			SET	SHEET	REV
						6	2	12



SAP MATERIAL No.: 0165097

SHORT DESCRIPTION: BRACKET,ANGLE:WD 40 MM;LG 505 MM

TECH. DESCRIPTION:
**BRACKET, ANGLE: MATERIAL: EN 10025-2; SANS 1431;
 OVERALL HEIGHT: 185 MM; OVERALL LENGTH: 505 MM; OVERALL WIDTH: 40 MM;
 LV FUSE HOLDER BRACKET; MATERIAL GRADE : S355JR/350WA STEEL; HOT DIPPED GALVANISED;
 DIMENSIONS: 40 WIDTH X 8 THICK X 505MM OVERALL LENGTH; FLAT BAR (L-SHAPED);
 SUITABLE FOR AFFIXING A MAXIMUM OF THREE 160A NH00 DIN FUSE HOLDERS (D-DT-3182 SH.2);
 SUPPLIED COMPLETE WITH 2 X M16 X 350MM GALVANISED THREADED RODS (D-DT-3015) WITH
 1 CURVED WASHER 65 X 65 X 6MM; 2 ROUND FLAT WASHERS 30 DIA. X 4MM (D-DT-3014) AND
 4 HEX. NUTS PER ROD;
 PROVIDE TWO 18MM DIAMETER HOLES FOR M16 THREADED RODS FOR POLE ATTACHMENT;
 ALL OF THE ABOVE PACKAGED AS A UNIT;
 ALL PACKAGING IS TO BE SUITABLE FOR STORAGE OUTDOORS;
 ESKOM DRAWING No. D-DT-3182 ***

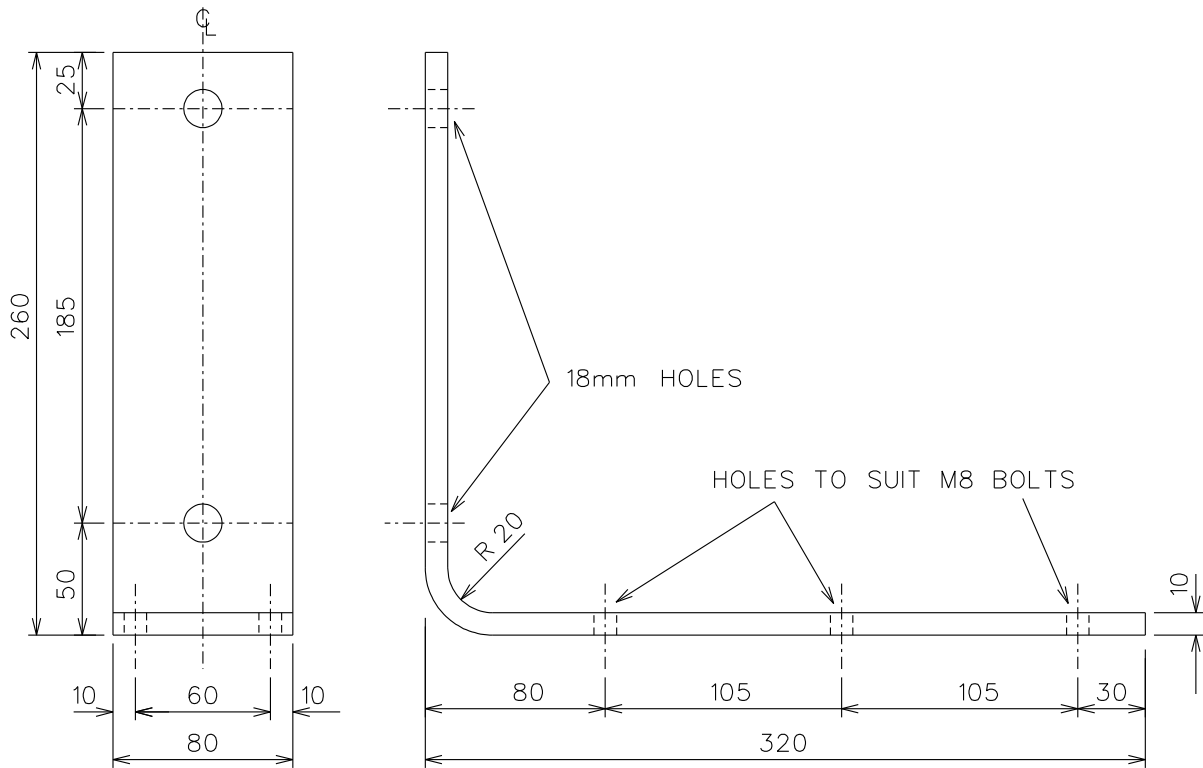
ITEM	:-	BRACKET, LV FUSE HOLDER
MATERIAL SPECIFICATION	:-	EN 10025-2 / SANS 1431
CORROSION SPECIFICATION	:-	SANS 121
STANDARD SPECIFICATION	:-	SANS 20269-2
ESKOM SPECIFICATION	:-	D-DT-3182

TEST & CERTIFICATION REQUIREMENTS :-					
INSPECTION	Yes	No	ESKOM RELEASE NOTE	Yes	No

IDENTIFICATION:- INDELIBLE MANUFACTURES TRADEMARK & PART No. ON ALL ITEMS

12	LV FUSE HOLDER BRACKET SAP NUMBERS CHANGED AND SHORT AND TECH. DESC.'S CHANGED AS PER PILOG	P.A.T.	M. SHUTER	J.MAUDU	05.06.2013	
11	FUSE SYSTEMS CHANGED FOR 20, 63 & 100A AND VERIOUS SPECS CHANGED	P.A.T.	J.MAUDU	R. KELLY	26.08.2010	
10	MATERIAL AND SPECS CHANGED	P.A.T.	S.MASHABA	B. HILL	10.03.2010	

REV	REVISION DESCRIPTION		BY	CHKD	AUTH	DATE	REF. DWGS	
AUTH:	P. CROWDY	DATE:	09.10.1996	SCALE		SAP No:		
CHKD:	A. ABROSIE	DATE:	09.10.1996	NTS		0165096		
DRAWN:	P.A. VERMAAK	DATE:	28.06.1996	CAD REF:		SET	SHEET	REV
				SERIES 3000		6	3	12
				FILE No:		D-DT-3182		
				3182				




SAP MATERIAL No.: 0189427

SHORT DESCRIPTION: BRACKET,ANGLE:WD 80 MM;LG 580 MM

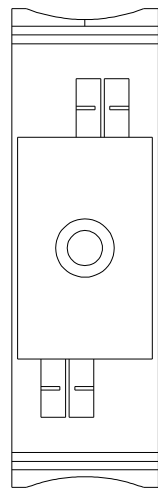
TECH. DESCRIPTION:

BRACKET, ANGLE: MATERIAL: EN 10025-2; SANS 1431;
 OVERALL HEIGHT: 260 MM; OVERALL LENGTH: 580 MM; OVERALL WIDTH: 80 MM;
 LV FUSE HOLDER BRACKET; MATERIAL GRADE: S355JR/350WA STEEL; HOT DIPPED GALVANISED;
 DIMENSIONS: 80 WIDTH X 10 THICK X 580MM OVERALL LENGTH; FLAT BAR (L-SHAPED);
 SUITABLE FOR AFFIXING A MAXIMUM OF THREE 400A NH2 DIN FUSE HOLDERS (D-DT-3182 SH.2);
 SUPPLIED COMPLETE WITH 2 X M16 X 350MM GALVANISED THREADED RODS (D-DT-3015) WITH
 1 CURVED WASHER 65 X 65 X 6MM; 2 ROUND FLAT WASHERS 30 DIA. X 4MM (D-DT-3014) AND
 4 HEX. NUTS PER ROD;
 PROVIDE TWO 18MM DIAMETER HOLES FOR M16 THREADED RODS FOR POLE ATTACHMENT;
 ALL OF THE ABOVE PACKAGED AS A UNIT;
 ALL PACKAGING IS TO BE SUITABLE FOR STORAGE OUTDOORS;
 ESKOM DRAWING No. D-DT-3182 *

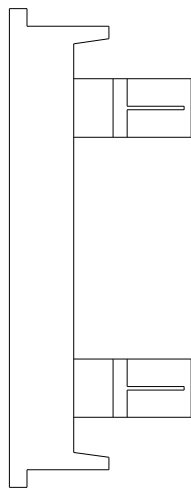
12	LV FUSE HOLDER BRACKET SAP NUMBERS CHANGED AND SHORT AND TECH. DESC.'S CHANGED AS PER PILOG	P.A.T.	M. SHUTER	J.MAUDU	05.06.2013		
11	FUSE SYSTEMS CHANGED FOR 20, 63 & 100A AND VERIOUS SPECS CHANGED	P.A.T.	J.MAUDU	R. KELLY	26.08.2010		
10	MATERIAL AND SPECS CHANGED	P.A.T.	S.MASHAB A	B. HILL	10.03.2010		
REV	REVISION DESCRIPTION	BY	CHKD	AUTH	DATE	REF. DRAWINGS	
AUTH:	P. CROWDY	DATE:	09.10.1996	 D-DT-3182	SAP No:		
CHKD:	A. ABROSIE	DATE:	09.10.1996		0189427		
DRAWN:	P.A. VERMAAK	DATE:	28.06.1996		SET	SHEET	REV
					6	4	12
			SCALE N.T.S.				
			CAD REF: SERIES 3000				
			FILE No: 3182				

Unique Identifier:240-48887441

Revision 1

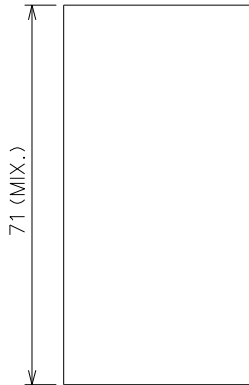


FRONT VIEW

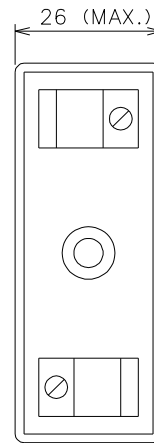


SIDE VIEW

FUSE LINK



SIDE VIEW




FRONT VIEW

FUSE HOLDER

ITEM		:- BRACKET, LV FUSE HOLDER	
MATERIAL SPECIFICATION		:-	
CORROSION SPECIFICATION		:-	
STANDARD SPECIFICATION		:- SANS 60269-2	
ESKOM SPECIFICATION		:- D-DT-3182	
TEST & CERTIFICATION REQUIREMENTS :-			
INSPECTION	Yes	No	ESKOM RELEASE NOTE Yes No
IDENTIFICATION:- INDELIBLE MANUFACTURES TRADEMARK & PART No. ON ALL ITEMS			
12	LV FUSE HOLDER BRACKET SAP NUMBERS CHANGED AND SHORT AND TECH. DESC.'S CHANGED AS PER PILOG	P.A.T.	M. SHUTER J.MAUDU 05.06.2013
11	FUSE SYSTEMS CHANGED FOR 20, 63 & 100A AND VERIOUS SPECS CHANGED	P.A.T.	J.MAUDU R. KELLY 26.08.2010
10	MATERIAL AND SPECS CHANGED	P.A.T.	S.MASHABA B. HILL 10.03.2010
REV	REVISION DESCRIPTION	BY	CHKD AUTH DATE REF. DWGS
AUTH:	P. CROWDY	DATE:	09.10.1996
CHKD:	A. ABROSIE	DATE:	09.10.1996
DRAWN:	P.A. VERMAAK	DATE:	28.06.1996
SCALE		NTS	
CAD REF:		SERIES 3000	
FILE No:		3182	
Eskom		SAP No:	
D-DT-3182		0117245 0118229	
		SET	SHEET REV
		6	5 12

SPEC SHEET

SAP MATERIAL No.:	0400928							
SHORT DESCRIPTION:	HOLDER,FUSE:500 V;20 A;E1;OFFSET TAG							
TECH. DESCRIPTION:	<p>HOLDER, FUSE: POTENTIAL: 500 V; CURRENT: 20 A; FUSE SIZE: E1; FUSE STYLE: OFFSET TAG; MOUNT: PANEL; FUSEHOLDER TO ACCOMMODATE FUSE SIZE "E1" IN ACCORDANCE WITH SANS 60269-2 FUSE SYSTEM G; RATING 20 AMP AND 500 VOLT; FRONT CONNECTION; SINGLE PHASE; FUSE CARRIER FOR OFFSET TAG FUSE; BRASS TERMINALS; MATERIAL: BLACK BAKELITE; 25 WIDE X 65MM LENGTH; ESKOM DRAWING No. D-DT-3182 *</p>							
SAP MATERIAL No.:	0400947							
SHORT DESCRIPTION:	HOLDER,FUSE:550 VAC;63 A;A3;PANEL							
TECH. DESCRIPTION:	<p>HOLDER, FUSE: POTENTIAL: 550 VAC; CURRENT: 63 A; FUSE SIZE: A3; FUSE STYLE: A3; MOUNT: PANEL; FUSEHOLDER TO ACCOMMODATE FUSE SIZE "A3" IN ACCORDANCE WITH SANS 60269-2 FUSE SYSTEM E; RATING 20 AMP AND 500 VOLT; FRONT CONNECTION; SINGLE PHASE; FUSE CARRIER FOR OFFSET TAG FUSE; BRASS TERMINALS; MATERIAL: BLACK BAKELITE; 25 WIDE X 65MM LENGTH; MODEL NO: SM63; ESKOM DRAWING No. D-DT-3182 *</p>							
SAP MATERIAL No.:	0400948							
SHORT DESCRIPTION:	HOLDER,FUSE:660 VAC;100 A;A3;PANEL							
TECH. DESCRIPTION:	<p>HOLDER, FUSE: POTENTIAL: 660 VAC; CURRENT: 100 A; FUSE SIZE: A3; FUSE STYLE: A3; MOUNT: PANEL; FUSEHOLDER TO ACCOMMODATE FUSE SIZE A3 IN ACCORDANCE WITH SANS 60269-2 FUSE SYSTEM E; FUSEHOLDER (SAFECLIP); RATING 100 AMP AND 660 VOLT AC; FRONT CONNECTION; SINGLE PHASE; BRASS TERMINALS; MATERIAL: BLACK BAKELITE; TYPE RS100H "RED SPOT" OR APPROVED EQUIVALENT; FULLY SHROUDED; SINGLE POLE; MODEL NO: RS100H; ESKOM DRAWING No. D-DT-3182 *</p>							
12	LV FUSE HOLDER BRACKET SAP NUMBERS CHANGED AND SHORT AND TECH. DESC.'S CHANGED AS PER PILOG		P.A.T.	M. SHUTER	J.MAUDU	05.06.2013		
11	FUSE SYSTEMS CHANGED FOR 20, 63 & 100A AND VERIOUS SPECS CHANGED		P.A.T.	J.MAUDU	R. KELLY	26.08.2010		
10	MATERIAL AND SPECS CHANGED		P.A.T.	S.MASHABA	B. HILL	10.03.2010		
REV	REVISION DESCRIPTION		BY	CHKD	AUTH	DATE		
AUTH:	P. CROWDY	DATE:	09.10.1996	 D-DT-3182		SAP No:		
CHKD:	A. ABROSIE	DATE:	09.10.1996			0400928	0400948	
DRAWN:	P.A. VERMAAK	DATE:	28.06.1996			SET	SHEET	REV
				3182	6	6	12	